

Technical Specifications Triple Green Products

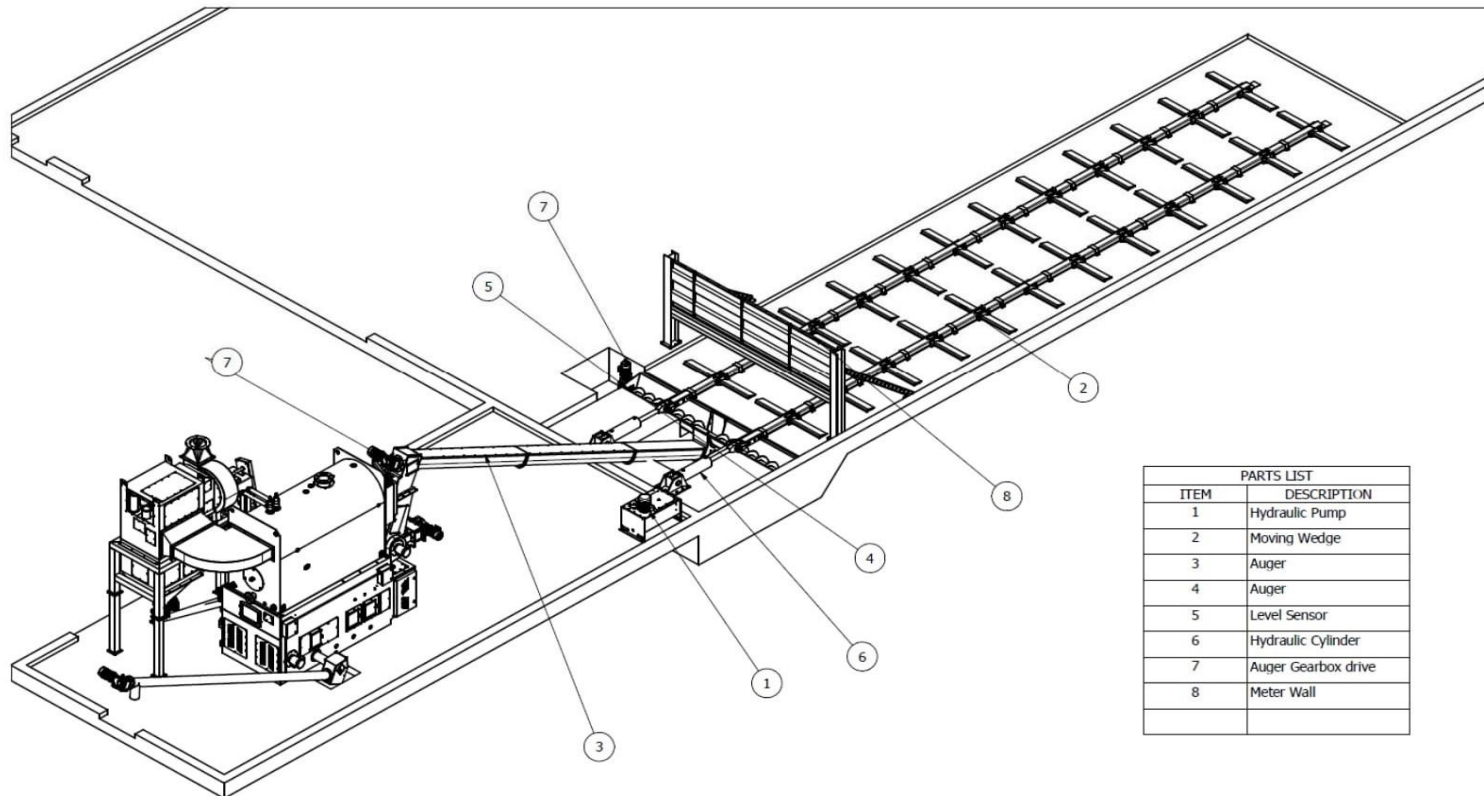
Walking Floor

(Optional)

Made in North America

Boiler Model		CGS-154	CGS-277	CGS-345	CGS-500	CGS-563	CGS-662	CGS-750	CGS-993	CGS-1157	CGS-1323	CGS-1654	CGS-1985	CGS-2315	CGS-2645	CGS-3075
HYD Pack HP	HP	5	5	5	7.5	7.5	7.5	7.5	7.5	7.5	10	10	15	15	20	25
Fuel Trough Auger Size (Horiztl)	in.	10	10	10	10	10	10	10	10	10	12	12	12	12	12	12
Fuel Transfer Screw (Incline)**	in.	10	10	10	10	10	10	10	10	10	12	12	12	12	12	12
Total # Wings & Cylinders		2	2	2	2	2	3	3	3	3	3	4	4	4	4	4
Motor RPM		1750	1750	1750	1750	1750	1750	1750	1750	1750	1750	1750	1750	1750	1750	1750
Walking Floor Length	ft.	48'	48'	48'	48'	48'	48'	48'	48'	48'	48'	48'	48'	48'	48'	48'
HYD Pressure	PSI	2200	2200	2200	2200	2200	2200	2200	2200	2200	2200	2200	2200	2200	2200	2200
Fuel Feeding Capacity	LBS HR	475	475	475	1230	1230	1230	1230	1230	1230	2200	2200	3000	3000	3800	5000

**Wood Chip Spec, Corn Stover, Grain Screenings, Other Biomass. (may need larger auger)



PARTS LIST	
ITEM	DESCRIPTION
1	Hydraulic Pump
2	Moving Wedge
3	Auger
4	Auger
5	Level Sensor
6	Hydraulic Cylinder
7	Auger Gearbox drive
8	Meter Wall